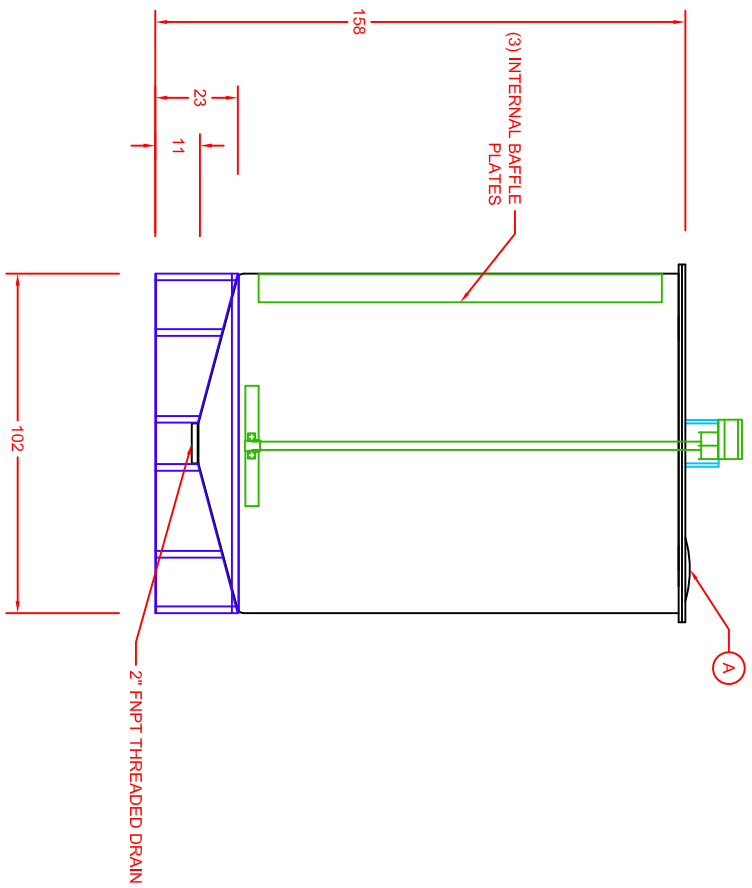
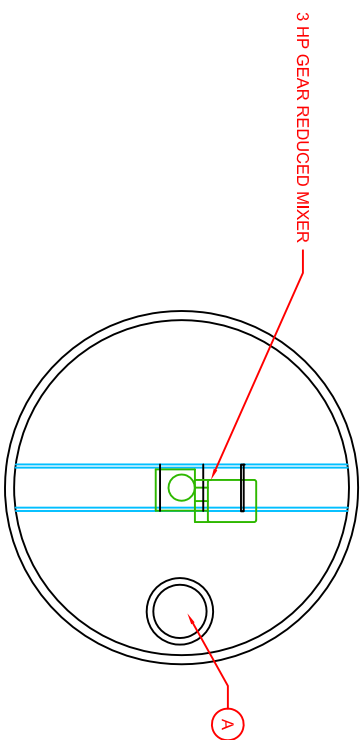


DESIGN DATA	
ITEM	DESCRIPTION
VISCOSITY	2000 CPS MAX
SPECIFIC GRAVITY	1.7 MAX
WETTED MATERIAL	HDLPE, 316 S.S., EPDM, POLYPROPYLENE
INPUT POWER REQUIREMENT	480 V (230-460), 50-60 Hz, 3 PH
DRAIN SIZE	2" FNPT THREAD



- GENERAL NOTES:**
1. READ ALL PRODUCT INFORMATION BEFORE USE.
  2. NEVER REMOVE ELECTRICAL COVERS OR OPERATE MIXER WHILE ELECTRICAL COVERS ARE REMOVED.
  3. DO NOT OPERATE MIXER WHILE HINGED ACCESS IS OPEN.
  4. ALL ELECTRICAL CONNECTION ARE TO BE INSTALLED BY A LICENSED PROFESSIONAL ELECTRICIAN.
  5. LOOKOUT / TAGOUT ANY DAMAGED EQUIPMENT BEFORE REPAIRING.
  6. MATERIALS: TANK TO BE ONE PIECE MOLDED OF HIGH DENSITY POLYETHYLENE (COLOR: NATURAL), STAND TO BE POWDER COATED MILD STEEL (COLOR: BLACK), MIXER WETTED PARTS TO BE 316L S.S., DRAIN FITTING TO BE PP/EPDM, DESIGNED FOR CONTENTS TO 1.7 S.G. @ 73° F @ 300 CPS MAX. PER ASTM D1998-06 FOR TYPE II TANKS USING A 600 PSI HOOP STRESS. TANKS ARE MOLDED FROM RESIN THAT IS FDA COMPLIANT AND CONFORMS TO NSF/ANSI STANDARD 61.
  7. CONTENTS: BY CUSTOMER
  8. OPERATING TEMP: 73° F DESIGN
  9. ALL HDLPE WELDS TO BE HAND WELDED W/ NITROGEN GAS
  10. ORIENT ALL FITTINGS FROM PLAN VIEW
  11. TANK AND STAND REQUIRE 100% BOTTOM SUPPORT
  12. ALL PIPING & VALVES MUST HAVE IT'S OWN SUPPORT AND ALLOW FOR TANK EXPANSION & CONTRACTION OF 1.5% DIMENSIONAL MOVEMENT. FLEX CONNECTIONS SHOULD BE DESIGNED FOR A .5° ANGULAR MOVEMENT.
  13. TANK IS TO BE LOCATED INDOORS
  14. TANK IS DESIGNED FOR ATMOSPHERIC PRESSURE ONLY
  15. DO NOT OVER TIGHTEN PLASTIC FITTINGS AS THEY MAY BECOME DAMAGED AND UNUSABLE.
  16. CHECK ALL CHEMICAL AND TEMPERATURE COMPATIBILITY WITH CONSTRUCTION MATERIAL PRIOR TO TANK USE. PROTECTOPLAS DOES NOT WARRANT CHEMICAL ATTACK OR MISUSE OF PRODUCT.
  17. ALL DIM. ARE IN INCHES/DEGREES UNLESS OTHERWISE NOTED.
  18. MIXER IS DESIGNED TO BLEND 130 U.S.G @ 300 CPS MAX. DO NOT OVERLOAD. ALL WETTED PARTS TO BE 316 S.S.

THIS DRAWING, THE NAME PROTECTOPLAS® AND ALL LOGOS ARE PROPERTY OF ERCO INC. THEY MAY NOT BE ALTERED, COPIED, OR USED IN ANY WAY WITHOUT WRITTEN PERMISSION FROM ERCO INC.

REV. NO.	REV. BY	REV. NOTE
CUSTOMER		
TITLE	MT-4000-102	


**PROTECTOPLAS COMPANY**  
 DIVISION OF ERCO, INC.  
 STREETSBORO, OHIO 44241 USA  
 SCALE: NTS BY: ZE DATE: 9/14/2015 DRW NO.