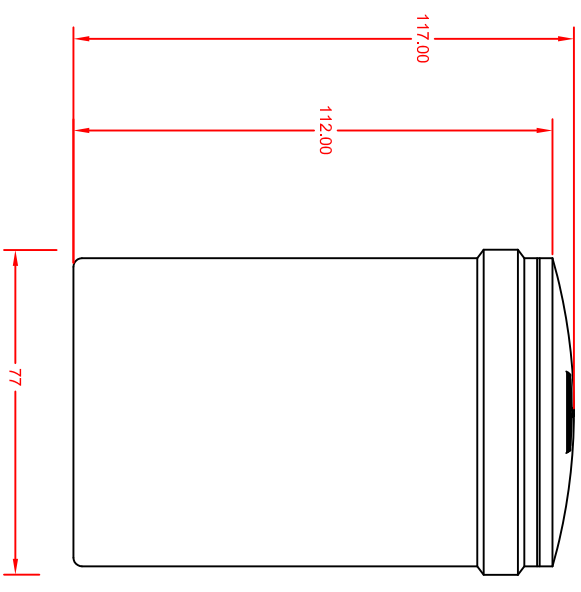
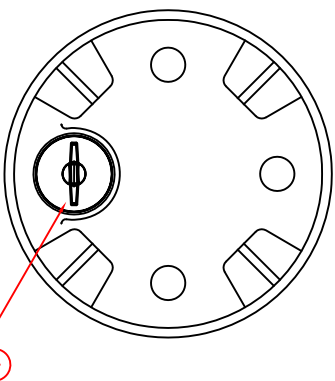


NOZZLE SCHEDULE & ACCESSORY LIST

TAG	QTY	SIZE	DESCRIPTION	DEG	ELEV
A	1	18	THREADED TOP ACCESS		



GENERAL NOTES:

- MATERIAL: TANK TO BE ONE PIECE MOLDED OF HIGH DENSITY POLYETHYLENE. COLOR: NATURAL. DESIGNED FOR CONTENTS TO 1.7 S.G. PER ASTM D1998-06 FOR TYPE II TANKS USING A 600 PSI HOOP
 - CONTENTS: WATER
 - OPERATING TEMP: 73° F
 - FLANGES TO BE HAND WELDED W/ NITROGEN GAS
 - ORIENT ALL FITTINGS FROM PLAN VIEW
 - TANK REQUIRES 100% BOTTOM SUPPORT
 - ALL PIPING & VALVES MUST HAVE ITS OWN SUPPORT AND ALLOW FOR TANK EXPANSION & CONTRACTION OF 1.5% DIMENSIONAL MOVEMENT. FLEX CONNECTIONS SHOULD BE DESIGNED FOR A 5° ANGULAR MOVEMENT.
 - TANK IS TO BE LOCATED INDOORS
 - TANK IS DESIGNED FOR ATMOSPHERIC PRESSURE ONLY
 - ALL WFN/WPFN FLANGES ARE 150# BOLT SPACED PER ANSI B16.5, THEY ARE FULL RAISED FACE DESIGN AND REQUIRE FULL FACED GASKETS.
 - ALL WFN/WPFN NOZZLES REQUIRE 11 FT.-LBS OF TORQUE TO SEAL. DO NOT OVER TIGHTEN FLANGES.
 - CHECK BOLT LENGTH WHEN PIPING TO A WPFN FLANGE BEFORE INSTALLATION. WPFN REQUIRE SHORTER BOLT LENGTHS.
 - CHECK ALL CHEMICAL AND TEMPERATURE COMPATIBILITY WITH CONSTRUCTION MATERIAL PRIOR TO TANK USE. PROTECTOPLAS DOES NOT WARRANT FOR CHEMICAL ATTACK OR PRODUCT MISUSE.
 - ALL DIM. ARE IN INCHES/DEGREES UNLESS OTHERWISE NOTED.
 - TOTAL VOLUME IS AN APPROX. FIGURE BASE ON BRIMFUL CAPACITY USING OUTER DIMENSIONS.
- QUAN. REQ.: (1)

THIS DRAWING, THE NAME PROTECTOPLAS® AND ALL LOGOS ARE PROPERTY OF EBCO INC. THEY MAY NOT BE ALTERED, COPIED, OR USED IN ANY WAY WITHOUT WRITTEN PERMISSION FROM EBCO INC.

REV. NO.	REV. BY	REV. NOTE
CUSTOMER		
TITLE	DW/1500-77 DOUBLE WALL TANK	


PROTECTOPLAS COMPANY
 DIVISION OF EBCO, INC.
 STREETSBORO, OHIO 44241 USA

SCALE: NTS BY: ZE DATE: 10/9/2015 DRW NO. DW1500-77